

TEMPORARY REVISION NO 76-01

1. Filing Instructions

Insert these 4pages in Chapter 76-10 after page 7. Complete the Record of Temporary Revisions on page iii/iv.

2. Applicability

This revision applies to all Grob G 115/ G 115A aircraft from serial number 8008 to 8109.

3. Reason For Revision

To introduce procedures to examine and replace the flap in the air filter box.

This Temporary Revision is linked to TR 05-01 which introduces an examination of the lip seal on the flap in the air filter box at 100 hours.

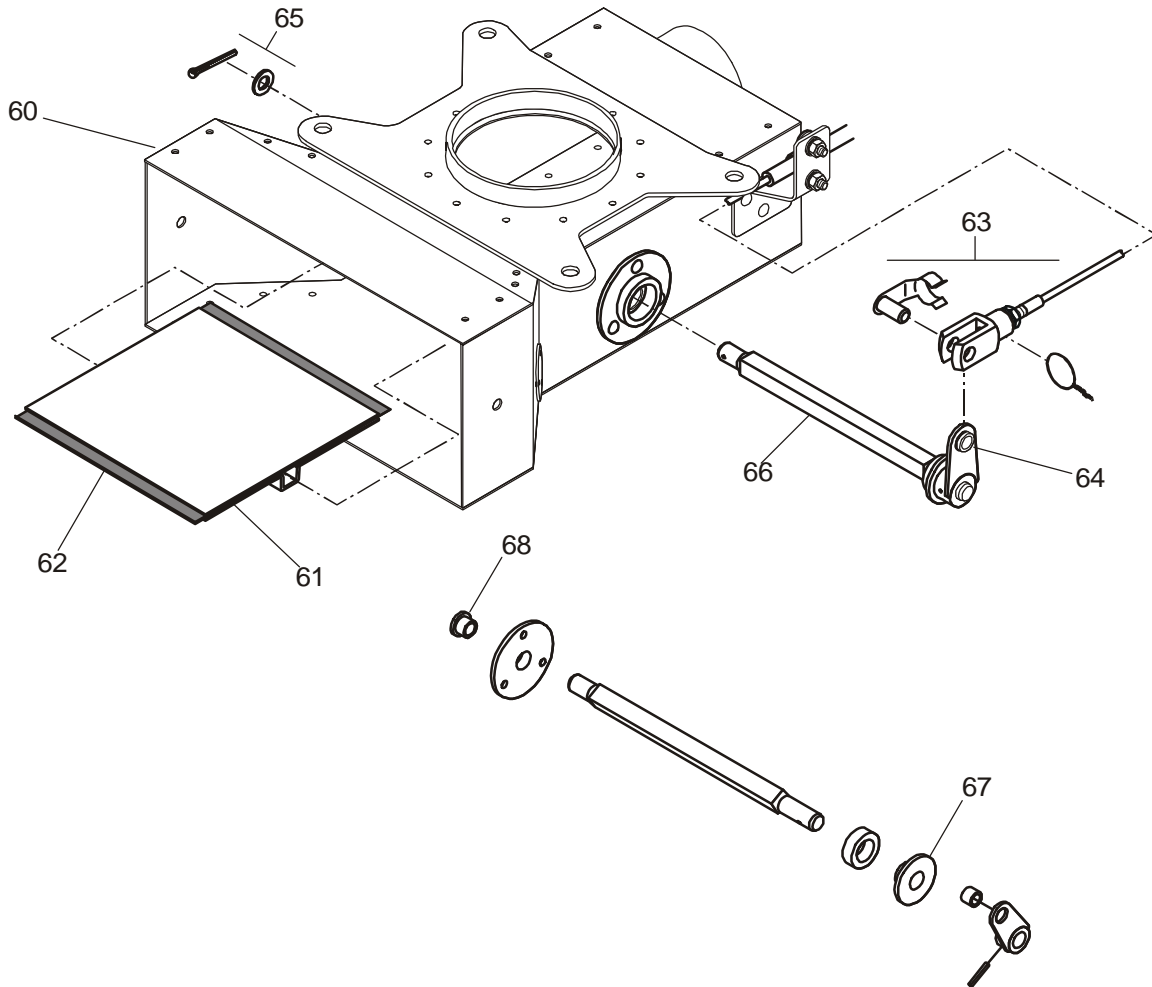
4. Approval Note

The technical content of this document is approved under the authority of EASA Design Organization Approval No. EASA.21J.030.

CHAPTER 76-10
ENGINE CONTROLS

2. Examine the Flap in the Air Filter Box

	WORK	KEY ITEM/REFERENCES
(1)	Remove the engine cowlings.	Chapter 71-10
(2)	Remove the air filter from the air filter housing: – Release the bolts which hold the housing. – Pull the filter element out of the housing.	Figure 3 Items 31, 32 Item 33
(3)	Examine the lip seal on the flap: – Move the flap as necessary to examine the seal at the front and back of the flap.	Figure 6 items 62, 61. There must be no damage to the seal. The seal must be flexible.
(4)	If necessary, replace the alternate air flap.	Paragraph 8.
(5)	Install the air filter into the filter housing: – Push the air filter fully into the housing. – Install and tighten the bolts.	Items 31, 32 Item 33
(6)	Install the engine cowlings.	Chapter 71-10



- 60. Air filter box.
- 61. Alternate air flap.
- 62. Lip seal.
- 63. Control Cable connection.
- 64. Small bush in lever.

Legend

- 65. Cotter pin and washer.
- 66. Axle.
- 67. Left bush.
- 68. Right bush.

**Alternate Air Flap Installation in the Air Filter Box
Figure 5**

3. Replace the Flap in the Air Filter Box

	WORK	KEY ITEM/REFERENCES
(1)	Remove the engine cowlings.	Chapter 71-10
(2)	Remove the air filter from the air filter housing: <ul style="list-style-type: none"> - Release the bolts which hold the housing. - Pull the filter element out of the housing. 	Figure 3 Items 31, 32 Item 33
(3)	Disconnect the alternate air control cable from the lever: <ul style="list-style-type: none"> - Remove the safety wire from the end fitting. - Release the locking clip from the end fitting. - Remove the locking clip and pin to release the cable. - Make sure that the small bush in the lever is secure. 	Figure 6 item 63. Item 64.
(4)	Remove the cotter pin and washer from the end of the axle.	Item 65.
(5)	Pull the axle from the air filter box.	Item 66.
(6)	Remove the flap.	Item 61 Note the orientation of the flap.
(7)	Examine the inside of the air filter box for damage.	Repair damage or replace the box as necessary.
(8)	Examine the bushes in the left and right bearing housings.	Items 67, 68. If necessary, replace the bushes.
(9)	Put the flap in position in the air filter box.	Items 61, 60.
(10)	With the flap approximately horizontal, and the lever on the axle approximately vertical: <ul style="list-style-type: none"> - Push the axle through the left bearing housing, the flap and the right bearing housing. - Install the washer and cotter pin. 	Item 66. Item 65.
(11)	Connect the control cable to the lever: <ul style="list-style-type: none"> - Make sure that the small bush is in the lever. - Put the end fitting in place on the lever. - Install the pin. - Engage the locking clip on the end fitting. - Lock the clip with safety wire. 	Item 63. Item 64.
(12)	Do a test of the alternate air control: <ul style="list-style-type: none"> - Move the cockpit control knob from fully in fully out. - Make sure that the flap moves correctly to switch air flow: <ul style="list-style-type: none"> - From the filter. - From the engine compartment. 	Cockpit control knob fully in. Cockpit control knob fully out.
(13)	Do the test/adjust the alternate air control procedure.	Chapter 76-10.
(14)	Install the air filter into the filter housing: <ul style="list-style-type: none"> - Push the air filter fully into the housing. - Install and tighten the bolts. 	Figure 3 item 31 and Item 32 Item 33
(15)	Install the engine cowlings.	Chapter 71-10.
(16)	Do an engine run-up for correct operation of the alternate air control.	Chapter 71-00.

Intentionally blank